

# TEG700-12

Rev A May2011  
Preliminary



## BENEFITS

Synthesized RF Source

USB 2.0 Interface

550MHz to 700MHz



## FEATURES

+12dBm Output

PC Software supported

Internal 10MHz Xtal Ref

-110dBc phase noise @100KHz



## DESCRIPTION



The TEG700-12 is a Laboratory-quality, Synthesized RF Signal Source with minimum of 12dBm Output Power over a frequency range of 550 to 700MHz

The TEG700-12 is the smallest USB microwave synthesized source available and is also priced significantly below the current market offerings.

The source can be swept in step size as low as 1KHz between any two frequencies in its specified range.

Applications include local oscillator for frequency conversion, DAC and ADC clock source, Scalar measurements and two or more can be combined for multi-tone testing . Use of the optional HUB allows the source to remain in a given state even after the host PC is removed from the system.

The unit also contains 0.5GB of flash memory used for installation files, test data and other supporting documentation. Drivers, utilities and documentation are available on the signal generator itself.

## CALIBRATION



Full results of factory test data are stored in the each units flash memory and available through the USB interface.



Actual Size

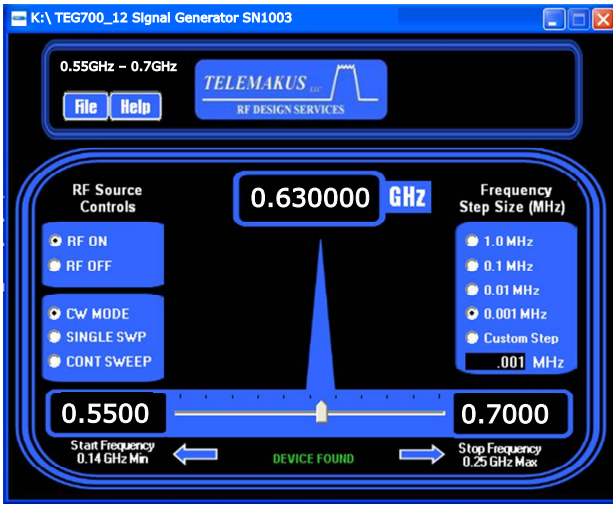
**TELEMAKUS** LLC



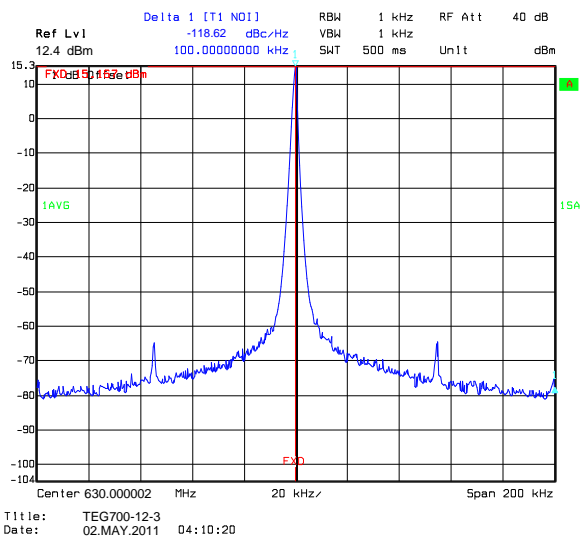
RF DESIGN SERVICES

Phone: 916 458 6346  
Fax: 916 983 8713  
Email: mail@telemakus.com  
www.telemakus.com

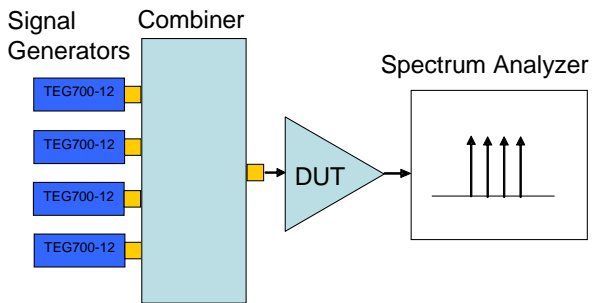
Primary Business Address  
13405 Folsom Blvd #502  
F O L S O M  
C A , 9 5 6 3 0



Easy to use graphical Interface with both numeric entry or slider controls.



Phase Noise Plot



Typical Configuration



# TEG700-12 Rev I May 2011

## Ordering information

Model	Frequency	Typ Output Power	Phase Noise
TEG700-12	550-700MHz	+13dBm	-110dBc@100KHz
TEG3500-8	2.7-3.5GHz	+8dBm	-105dBc@100KHz
TEG2700-6	1.8GHz to 2.7GHz	+10dBm	-105dBc@100KHz
TEG1000-10	0.7 to 1GHz	+10dBm	-105dBc@100KHz
TEG250-15	140-250MHz	+15dBm	-118dBc@100KHz

## Specifications

Parameter	Specification
Freq Range	550MHz to 700MHz
Internal Ref	10MHz (2 ppm)
Interface	USB 2.0
Current	150mA @5V
Step Size	1KHz
Phase Noise	-110dBc/Hz @100kHz
Power Output Control	+12dBm min +13dBm Typ
Spurious	-80dBc Typ
Pout Control	ON/OFF
RF Connectors	SMA Female
USB Connector	Mini A

## Environmental

Temperature Range	-40 to +55 degC		
Not Environmentally sealed			

Phone: 916 458 6346  
 Fax: 916 983 8713  
 Email: mail@telemakus.com  
 www.telemakus.com

Primary Business Address  
 13405 Folsom Blvd #502  
 Folsom  
 CA,95630